



# INSTALLATION INSTRUCTIONS

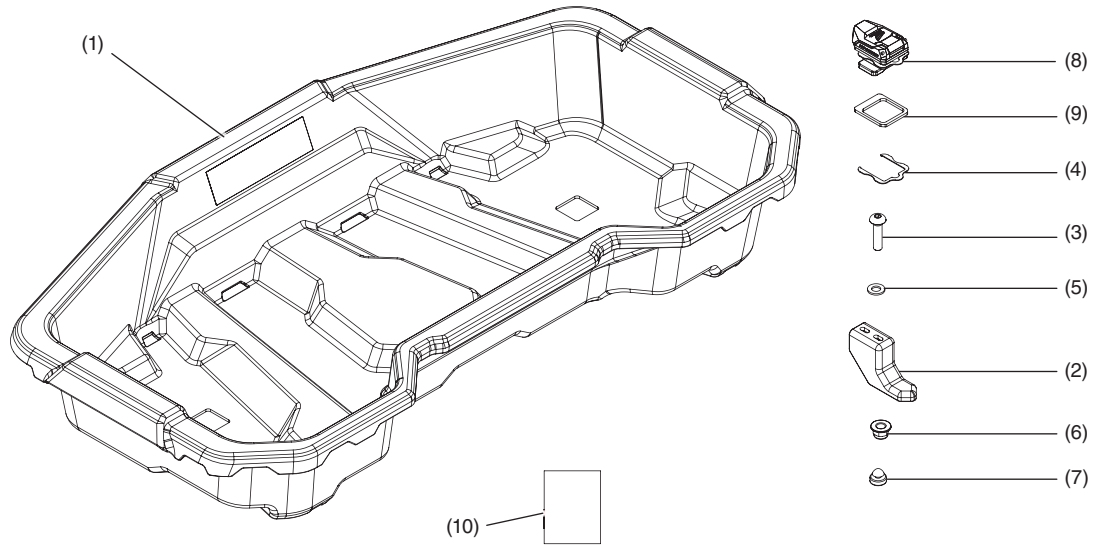
Accessory  
**FRONT UTILITY BASKET**  
 P/N 0SL63-HR3-A00

Application  
**TRX420**  
**TRX520**

Publication No.  
**MII 17151**  
 Issue Date  
**June 2019**

**Honda Dealer: Please give a copy of these instructions to your customer.**

## PARTS LIST



No.	Description	Qty
(1)	Front Basket	1
(2)	Hook	2
(3)	3 x 20 mm Button Head Socket Screw	4
(4)	Snap ring	2
(5)	10 mm Washer	4
(6)	8 mm Flange nylon nut	4
(7)	Rubber Bumper	2
(8)	Honda Pro-Connect™ latch	2
(9)	Rubber Spacer	2
(10)	Installation Instruction URL	1

## TORQUE CHART

Tighten all screws, bolts, and nuts to their specified torque values. Refer to the Service Manual for the torque values of the removed parts.

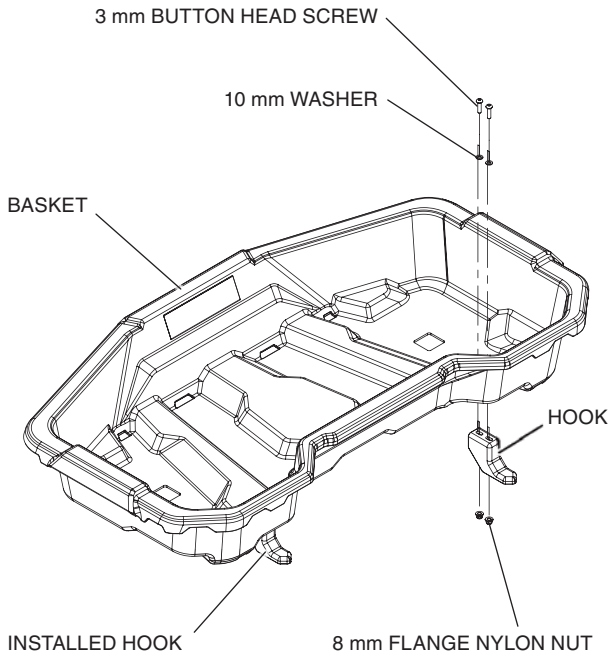
Item	N-m	kgf-m	lbf-in
3 x 20 mm Button Head Socket Screw	5	0.51	44

## TOOLS REQUIRED

- Ratchet
- Torque wrench
- Hex wrench (3 mm)
- Socket (8 mm)
- Drill (TRX420 ONLY)
- Drill bit (8 mm) (TRX420 ONLY)

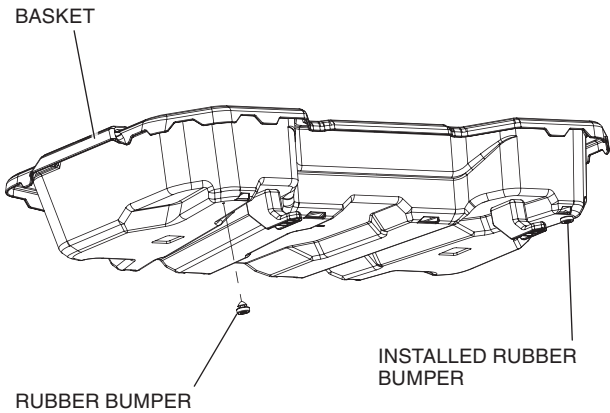
# INSTALLATION

1. Install two hooks from underneath the utility basket using 3 mm button head socket screws, washers and flange nylon nuts.

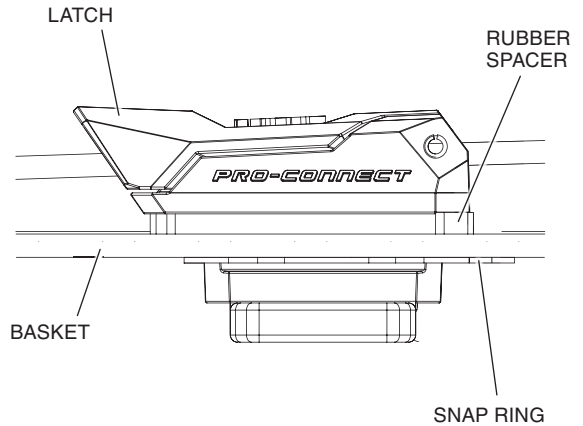
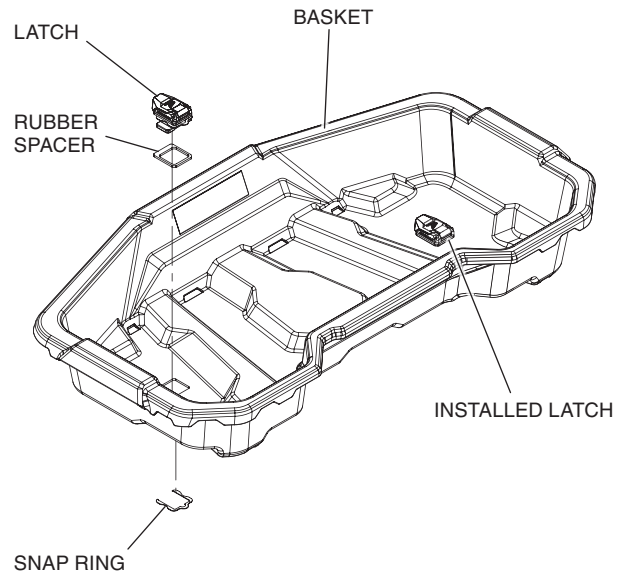


**Note: (TRX420 ONLY)**

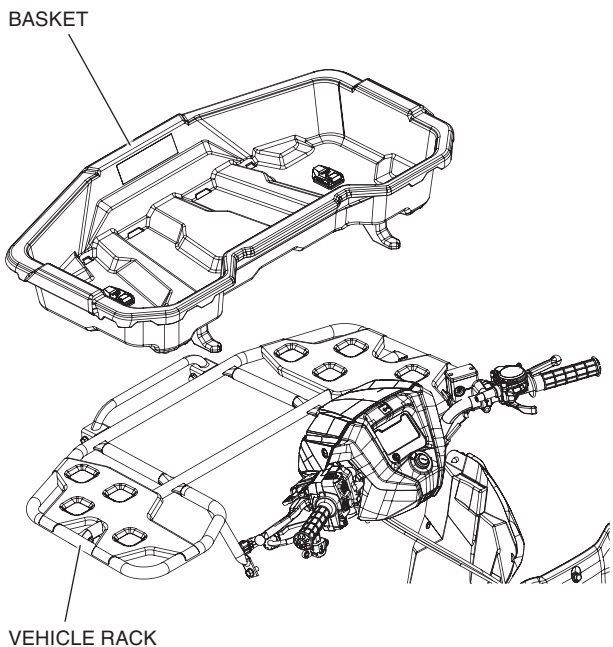
Using a drill and 8 mm drill bit, drill a hole at the drilling marks then install two rubber bumpers from underneath, as shown.



2. Install two Honda Pro-Connect™ latches in the utility basket using a rubber spacer between each latch and the utility basket. Secure the latches to the utility basket by installing a snap ring onto each latch from underneath the utility basket.



3. Lift the lever on each latch to unlock them. Place the utility basket onto the front rack of the ATV. Line up each latch with its corresponding hole in the rack then push each latch into its hole.



4. Secure the utility basket to the mounting plate by pressing down each Honda Pro-Connect™ lever.

